

# 1/8 NPT Stainless Temperature Sensor

SENTEMSSNPT (-20 to 200°C)

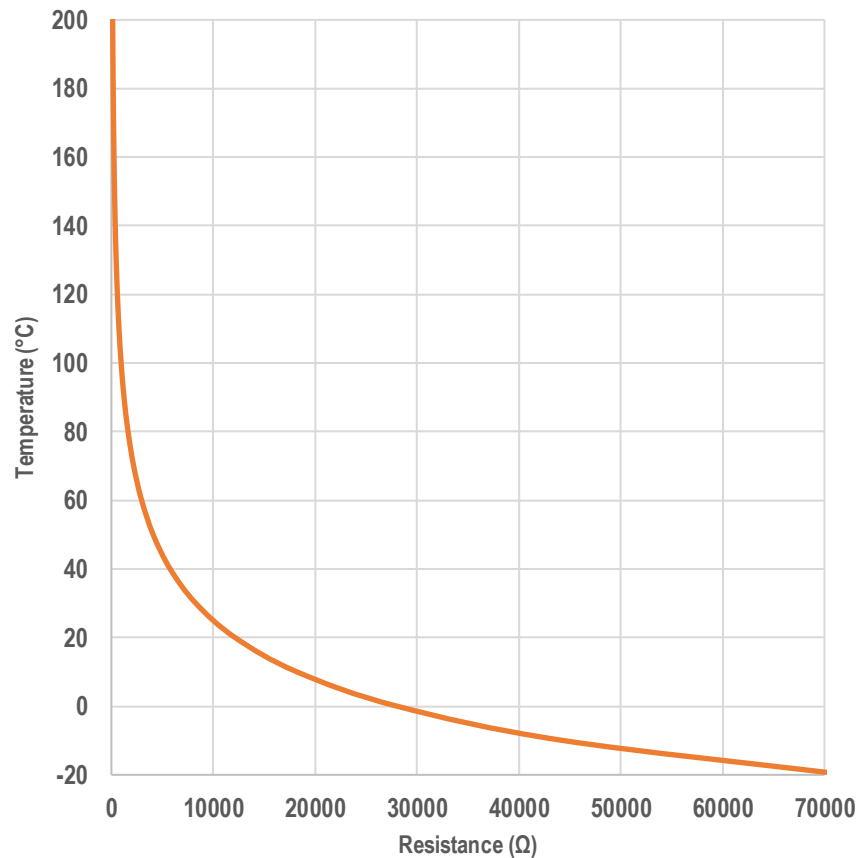
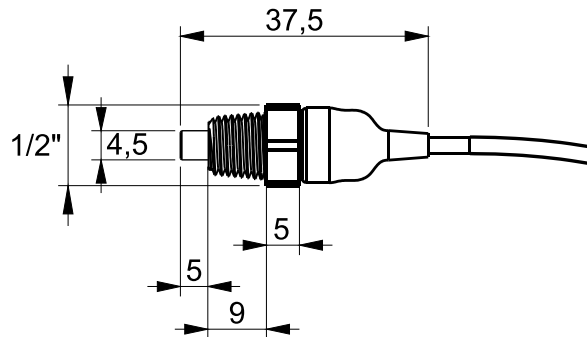
## Specifications

**Housing Material:** Stainless Steel  
**Mounting Thread:** 1/8 NPT  
**Cable Length:** 300mm<sup>1</sup>  
**Connector:** Unterminated

<sup>1</sup> Custom length available upon request

**Temperature Range:** -20 to 200 °C  
**Response Time (T<sub>63%</sub>) in Water:** < 3 sec  
**Sensor Type:** Immersion (Fluid)

## Mechanical Drawing



Temperature (°C)	Resistance (Ω)	Volts* (V)
-20	72300	4.932
-10	44360	4.890
0	28050	4.828
10	18220	4.740
20	12140	4.619
30	8281	4.461
40	5769	4.261
50	4099	4.019
60	2967	3.740
70	2184	3.430
80	1633	3.101
90	1239	2.767
100	954	2.441
110	743	2.131
120	586	1.847
130	467	1.592
140	377	1.369
150	307	1.174
160	252	1.006
180	175	0.745
200	125	0.556

\*with 1K pull-up (for MoTeC M1 input)

P: +64 9 525 2991 | E: sales@mssel.com | W: www.mssel.com

218D Marua Rd, Mt Wellington, Auckland NZ

